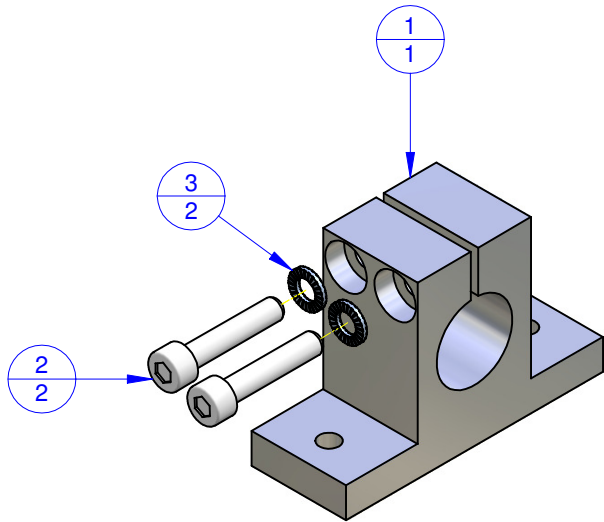


THE PROPERTY OF THIS DRAWING IS ESTABLISHED BY LAW
IT IS FORBIDDEN TO REPRODUCE IT OR SHOW IT TO THIRD PARTY
WITHOUT A WRITTEN AGREEMENT.

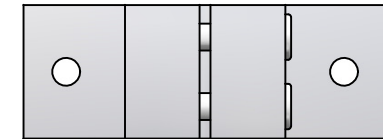
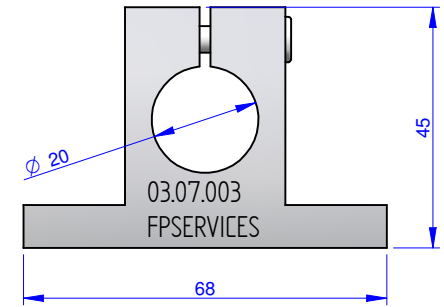
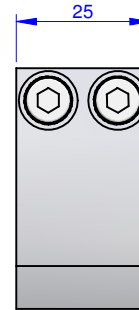
MODIFICATIONS: _____
 (7) _____ (10) _____
 (8) _____ (11) _____
 (9) _____ (12) _____


MODIFICATIONS: _____
 (1) _____ (4) _____
 (2) _____ (5) _____
 (3) _____ (6) _____

Format **A3**
 UNI 936-76



Object Number	Name	QTY
1	03.07.003	1
2	VTCE5X25	2
3	R.5.SCH	2



FP Services 		DESIGNED FROM FPSERVICES	
		DATE 03/2013	WEIGHT 0,096 kg
GENERAL TOLERANCE: UNI - ISO 2768 CLASSE f		DESCRIPTION CODE CA.03.07.003	

